



CITY COUNCIL AGENDA ITEM

REQUESTED COUNCIL MEETING DATE 4/1/08

SUBJECT: Purchase of Twelve Aurora Sewage Pumps and Re-Validation of Barney's Pumps as a Sole-Source Supplier

DEPARTMENT: Public Utilities

RECOMMENDED MOTION: To waive the formal bidding process and revalidate Barney's Pumps as the sole source vendor for Aurora Pumps, and to authorize a purchase order to Barney's Pumps in the amount of \$176,840.00 for the replacement of twelve complete pumps that include 6 RAS pumps, 4 WAS pumps, and 2 Transfer pumps at the Reclaimed Water Plant.

SUMMARY: Aurora pumps are used extensively throughout our Water and Reclaimed Water Treatment Plants and pumping stations. Their continued operation and maintenance is essential. The Reclaimed Water Plant routinely treats upwards of 6 million gallons per day. The biological treatment process requires RAS (return activated sludge) pumps, WAS (waste activated sludge) pumps, and Transfer (relocates sludge between digesters and holding tank) pumps. These pumps are required for process control and optimizing wastewater treatment to produce quality reclaimed water or effluent to the Halifax River. The RAS, WAS and Transfer pumps were originally installed in 1988. In addition to routine in-house maintenance, these pumps have been rehabilitated several times. As such, all pumps have exceeded their reasonably expected useful life, given the corrosive environment of wastewater treatment processes. It is a credit to our Maintenance Division that the pumps have lasted 20 years, and they are programmed in the CIP for replacement in the current fiscal year 2008.

The cost of twelve complete pumps with motors is \$176,840. Direct purchase of the pumps will result in a significant savings in sales tax. These pumps are not a stock shelf item and will require at least four months for fabrication and delivery. Issuance of the purchase order will allow for the pumps to be assembled. Public Utilities Maintenance Department will be responsible for installation.

Barney's Pumps is the manufacturer's only Florida-authorized representative for Aurora products and parts in our area. As such, we are requesting that Barney's sole source status be reaffirmed for the purchase of the Aurora pumps. Also, we are requesting that a purchase order to Barney's Pumps be authorized in the amount of \$176,840.00. Funds are available in SSP002 Sewer Plant Replacement, Account No. 40304005356397.

ATTACHMENTS: Ordinance Resolution Budget Resolution

Other Support Documents/Contracts Available for Review in Manager's Office

DEPARTMENT HEAD *Roger M. Smith* Roger M. Smith Date 3-18-08

FINANCE DEPARTMENT *JAVA STRO* Approved as to Budget Requirements Date 3/19/08

CITY ATTORNEY *N/A* Approved as to Form and Legality *Beela Lehu* Date N/A

CITY MANAGER *[Signature]* Approved Agenda Item For: 4/1/08

COUNCIL ACTION: Approved as Recommended Disapproved Tabled Indefinitely
 Continued to Date Certain Approved with Modification:



Pentair Water

North Aurora Operations

800 Airport Road
North Aurora, IL 60542
phone: 630-859-7000
fax: 630-859-7060
www.pentairwater.com

January 21, 2008

To Whom It May Concern:

This is to certify that:

Barney's Pumps, Inc.
PO Box 3520
Lakeland, FL 33802
Telephone 863-665-8500
Fax 863-666-3858

along with their branch offices in Jacksonville and Coral Springs, is the sole representative for Aurora Pump and Layne/Verti-Line in the Municipal Market for southern and central Florida, including the Keys.

Pentair Water holds all patents and is the sole manufacturer of pumps and authorized repair parts for the Aurora and Layne/Verti-Line products in the United States of America.

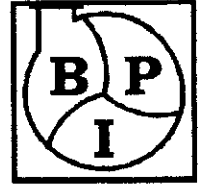
Any questions or concerns should be directed to this office. Current status may also be confirmed by utilizing the Distributor Locator on our website at www.aurorapump.com.

Sincerely,

Alanna Melin
Sales & Marketing Specialist

QUOTATION NUMBER
0573-08

BARNEY'S PUMPS INC.



Page 1 of 1

P.O. Box 3529 Lakeland, FL 33802-3529
2965 Barney's Pumps Place Lakeland, FL 33812
Phone (863) 665-8500
Fax (863) 666-3858

DATE: 11 March 2008

TO: City of Port Orange
Tom May

FOR SHIPMENT TO: Oak Street WWTP

PROJECT: Aurora replacements

Delivery
12-14 weeks

Via
Bestway

From
Barney's Pumps

F.O.B.
Barney's Pumps

Terms
net 30

ITEM	QTY	DESCRIPTION	Price	TOTAL
A	4	<p>Waste Pumps</p> <p>Aurora 663A 3X3X12, 250 gpm @ 13', 3.0hp 900rpm, S/N: 25295-F77743</p> <p>Replacement pump including pump, motor stand, pump stand and suction elbow; 3.0 hp, 900rpm, vertical solid shaft, TEFC motor with space heaters and thermostats; coupling between pump and motor.</p> <p>Freight is included in above pricing.</p> <p>Delivery is F.O.B. Barney's Pumps with freight allowed to jobsite. Barney's Pumps standard terms of sale and warranty apply. Start-up and training services are not included. Taxes, anchor bolts, piping, field wiring, etc. are not included.</p>	\$ 9,550. each	Total for four \$ 38,200.

The following items are attached: Bulletin Performance curve Elevation drawing

Prices quoted are firm for 30 days (unless otherwise noted), then subject to adjustment to agree with prices at time of shipment and subject to any tax required by law. We appreciate the opportunity to serve you and trust that we are favored with your order. This quotation is subject to Barney's Pumps standard terms of sale and warranty.

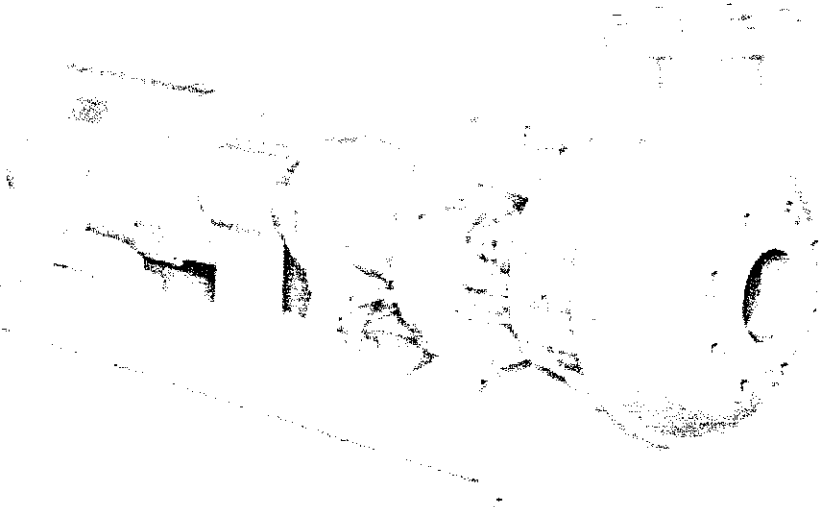
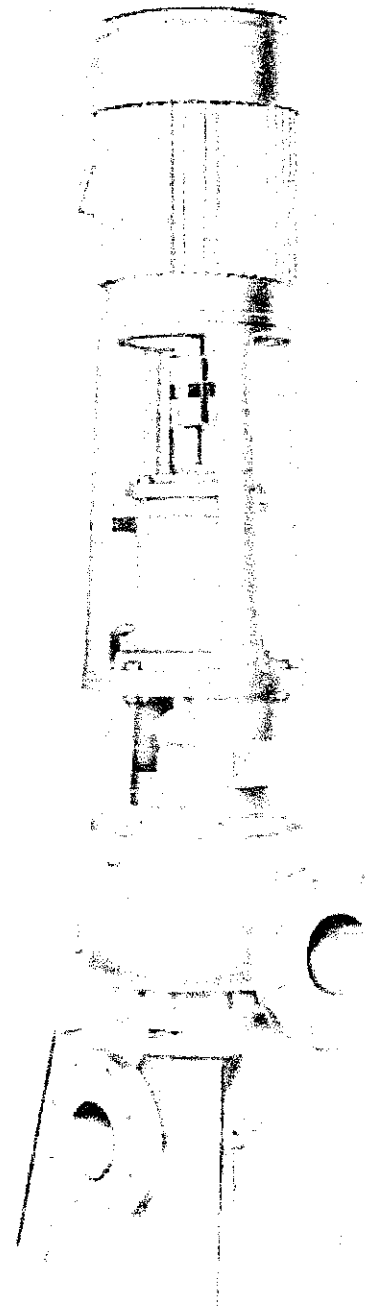
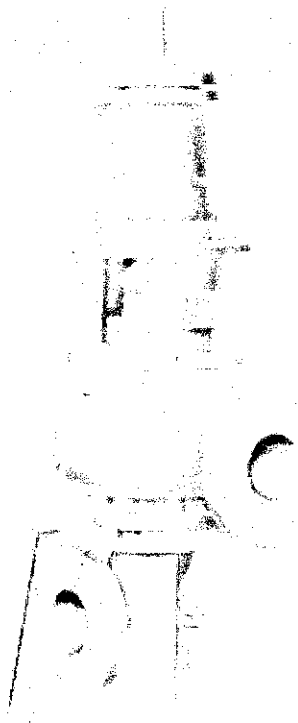
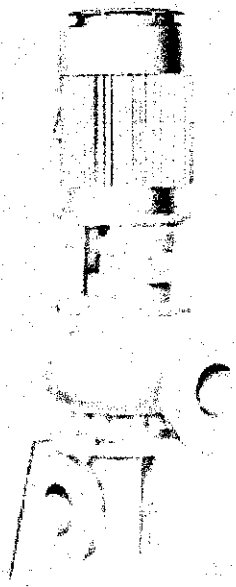
BARNEY'S PUMPS INC.

RWAN GRUNCKO

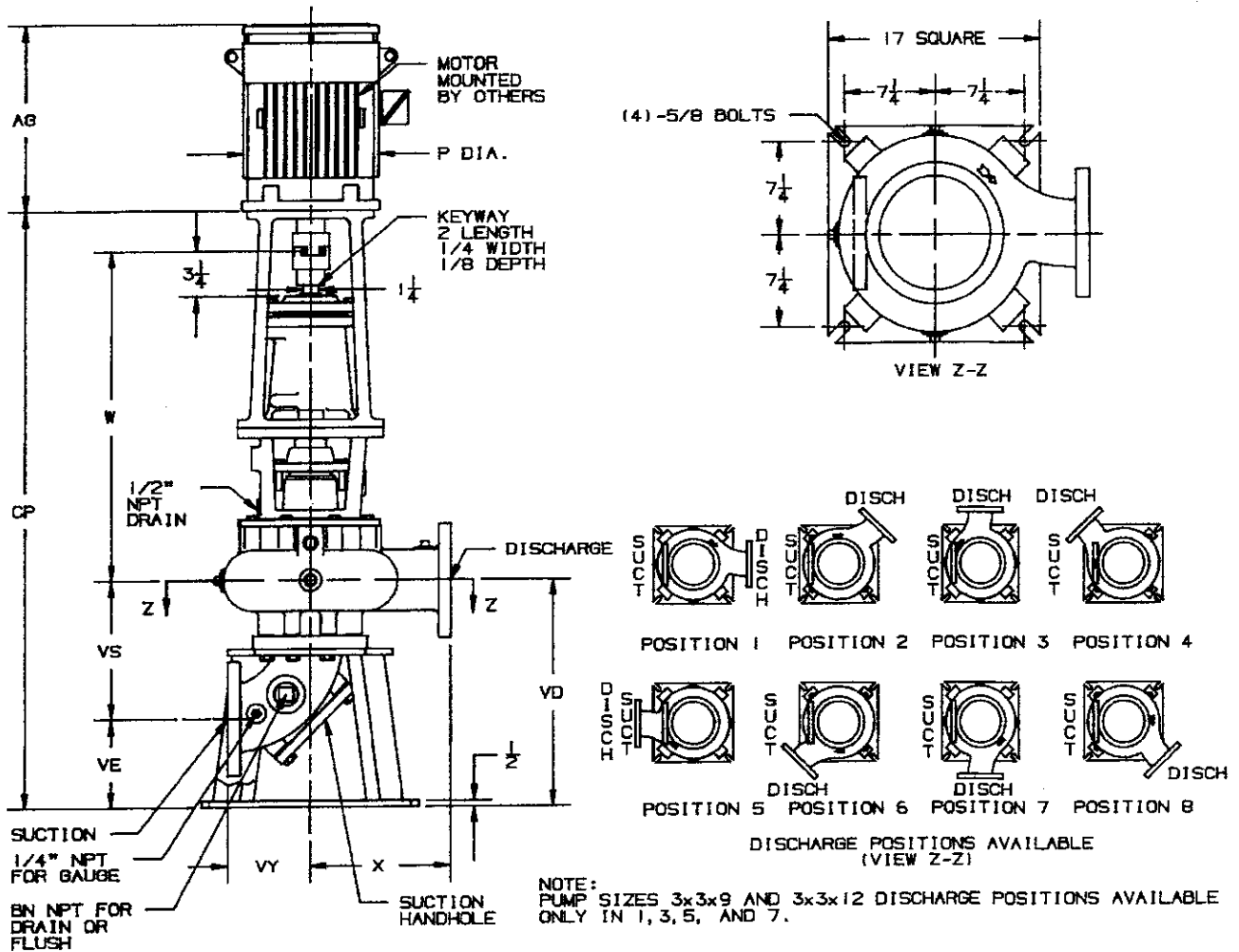
Authorized Signature



AURORA PUMP & MOTOR PENTAIR PUMP GROUP



AURORA MODEL 663A PUMP 3" & 4" PUMPS



- NOTES:**
1. ALL DIMENSIONS IN INCHES.
 2. DIMENSIONS MAY VARY ± 1/4".
 3. NOT FOR CONSTRUCTION PURPOSES UNLESS CERTIFIED.
 4. TWO (2) 1/2" NPT CONNECTIONS 180° APART, ON THE STUFFING BOX FOR LUBRICATION PURPOSES ARE FURNISHED AS STANDARD. ON PACKED PUMPS AN ALEMITE FITTING IS PROVIDED IN ONE TAP AND THE REMAINING TAP IS PLUGGED.
 5. DISCHARGE POSITION 1 IS FURNISHED AS STANDARD UNLESS SPECIFIED.
 6. SUCTION AND DISCHARGE FLANGES ARE AMERICAN STANDARD 125 LBS.
 7. HEIGHT (AG) AND DIAMETER (P) DIMENSIONS OF MOTOR WILL VARY BASED ON MAKE AND STYLE OF MOTOR. DIMENSIONS SHOWN REFLECT AURORA STANDARD MOTORS. SEE INDIVIDUAL MOTOR SUPPLIER DIMENSIONAL DATA SHEETS FOR YOUR APPLICATION. CONDUIT BOX IS SHOWN IN APPROXIMATE LOCATION. DIMENSIONS ARE NOT SPECIFIED AS THEY VARY WITH EACH MOTOR MANUFACTURER.

MOTOR FRAME	143HP TO 145HP	182HP TO 184HP	213HP TO 215HP	254HP TO 256HP	284HPH TO 286HPH	324HP TO 326HP	364HP TO 365HP	404HP TO 405HP
P APPROX.	8	10	11	13	16	18	21	22
AG APPROX.	11	12	13	14	16	18	20	21
	22	23	25	26	25	26	25	28

DISCH SUCT CASE BORE LOWER FRAME	BN	VY	W	X	CP	VD	VE	VS
3x3x9	3C	1	6 1/2	25 1/2	10	45 1/2	16 3/8	6 3/4
3x3x12	3C	1	6 1/2	25 5/8	13	45 5/8	16 3/8	6 3/4
4x4x9	3C	1 1/2	6 1/2	26 1/2	11	47	16 7/8	6 15/16
4x4x12	3C	1 1/2	6 1/2	26 5/8	13	47 1/8	16 7/8	6 15/16

ADD 3/4" TO CP FOR PUMPS WITH MOTOR FRAMES 284HPH OR LARGER.

QUOTATION NUMBER
0571-08

BARNEY'S PUMPS INC.



Page 1 of 1

P.O. Box 3529 Lakeland, FL 33802-3529
2965 Barney's Pumps Place Lakeland, FL 33812
Phone (863) 665-8500
Fax (863) 666-3858

DATE: 11 March 2008

TO: City of Port Orange
Tom May

FOR SHIPMENT TO: Oak Street WWTP

PROJECT: Aurora replacements

Delivery
12-14 weeks

Via
Bestway

From
Barney's Pumps

F.O.B.
Barney's Pumps

Terms
net 30

ITEM	QTY	DESCRIPTION	Price	TOTAL
A	6	<p>RAS Pumps</p> <p>Aurora 613A 6x6x12B, 1050 gpm @ 17', 7.5hp 900rpm, S/N: 1014567</p> <p>Replacement pump including pump, motor stand, pump stand and suction elbow; 7.5 hp, 900rpm, vertical solid shaft, TEFC motor with space heaters and thermostats; coupling between pump and motor.</p> <p>Freight is included in above pricing.</p> <p>Delivery is F.O.B. Barney's Pumps with freight allowed to jobsite. Barney's Pumps standard terms of sale and warranty apply. Start-up and training services are not included. Taxes, anchor bolts, piping, field wiring, etc. are not included.</p>	\$ 17,800 each	Total for six \$ 106,800.

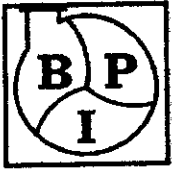
The following items are attached: Bulletin Performance curve Elevation drawing

Prices quoted are firm for 30 days (unless otherwise noted), then subject to adjustment to agree with prices at time of shipment and subject to any tax required by law. We appreciate the opportunity to serve you and trust that we are favored with your order. This quotation is subject to Barney's Pumps standard terms of sale and warranty.

BARNEY'S PUMPS INC.

RUAN GRUMCKO

Authorized Signature



Barney's Pumps Terms of Sale & Warranty

Terms of Sale

1. Quoted prices do not include any taxes. Standard payment terms are net 30 days from invoice date.

Contractor Sales: Minimum 90% net 30 days – Balance of retainage due at start-up OR 80 days from invoice date, whichever occurs first.
2. We reserve the right to charge one and one-half percent (1-1/2%) of the past due balance per month. If it becomes necessary for us to employ an attorney or to bring suit to recover any amount, the Purchaser agrees to pay all of our court costs, legal expenses, and reasonable attorney's fees in connection therewith. These remedies are not in lieu of any other remedies so provided by applicable law.
3. Shipping date estimates are based on current conditions and reflect the producer's calculations. We will not be liable nor responsible for any delays caused by late shipment to us, or by any other matters beyond our control (Force Majeure) either in whole or in part.
4. Purchaser must inspect all materials/goods for damage or shortage at the time of delivery. Claims for damage or shortage must be given in writing at the time of delivery to the carrier, and we must be notified in writing of any such claim within five (5) days.
5. Materials/goods may not be returned without our consent, and will be subject to a restocking charge plus any freight costs involved.

Terms of Warranty

1. Materials/goods are warranted only under the conditions and to the extent that they are warranted by the manufacturer(s), whose warranties will be furnished and assigned to Purchaser on request. We will not be liable for any breach of such warranty.

With respect to materials/goods manufactured by us, we warrant that they will be free from defects in materials and/or workmanship for a period not to exceed eighteen (18) months after shipment or twelve (12) months after start-up, whichever occurs first. Our sole obligation is limited to our repair/replacement, without charge, of the material/goods, F.O.B. our facility of manufacture.

For those items partially or totally manufactured by others, and incorporated into our system(s) for resale, we pass along their warranty(s) in total, including warranties of Y2K compatibility, but do not offer additional warranties, nor certify that they meet the intent of any request.

Other than the above express warranty, we make no other warranties whatsoever. In order for our said warranty to be enforceable, we must first be given a written notice, and a reasonable opportunity to inspect the material/goods alleged to be defective, as well as the installation and use thereof. Warranty determination must be mutually determined.

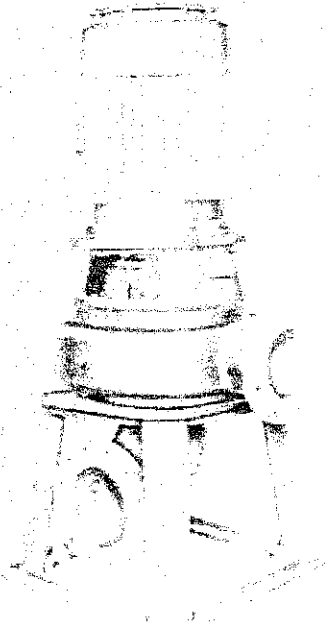
2. In no event will we be liable for consequential, incidental, general, alleged negligence, special, direct, indirect, legal theory, loss of use, loss of performance, loss of operations, loss of profit, or any other damages with respect to any materials/goods supplied by us, whether solely manufactured by us or others.

Indemnification/Hold Harmless is not accepted by Barney's Pumps. This in no way diminishes the rights of either party. It is simply our corporate policy to rely on our extensive warranty outlined above.

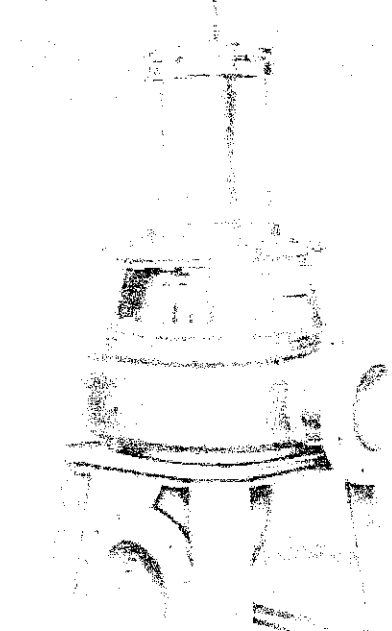


ALIBORA PUMP & ENGINE OF PENTAIR PUMP GROUP

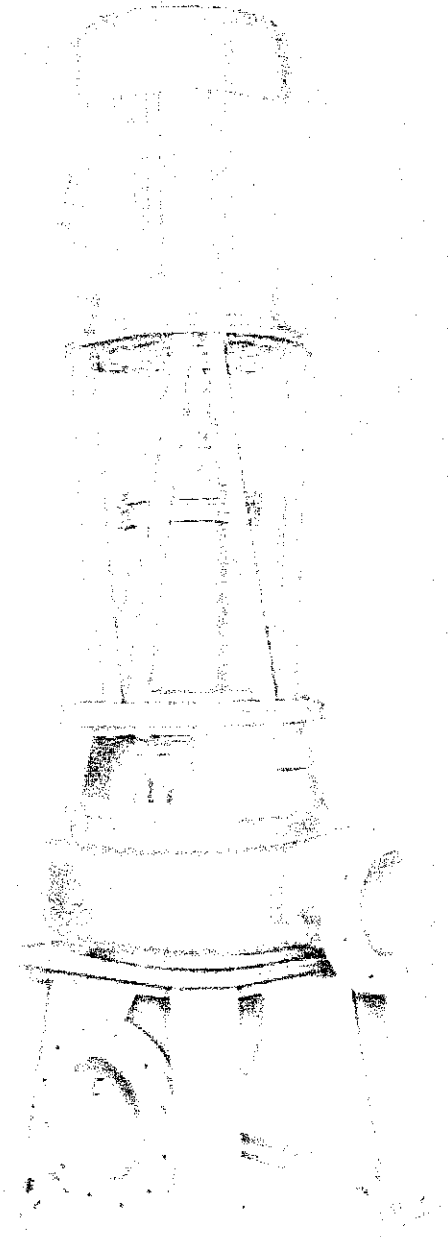
ALIBORA PUMP



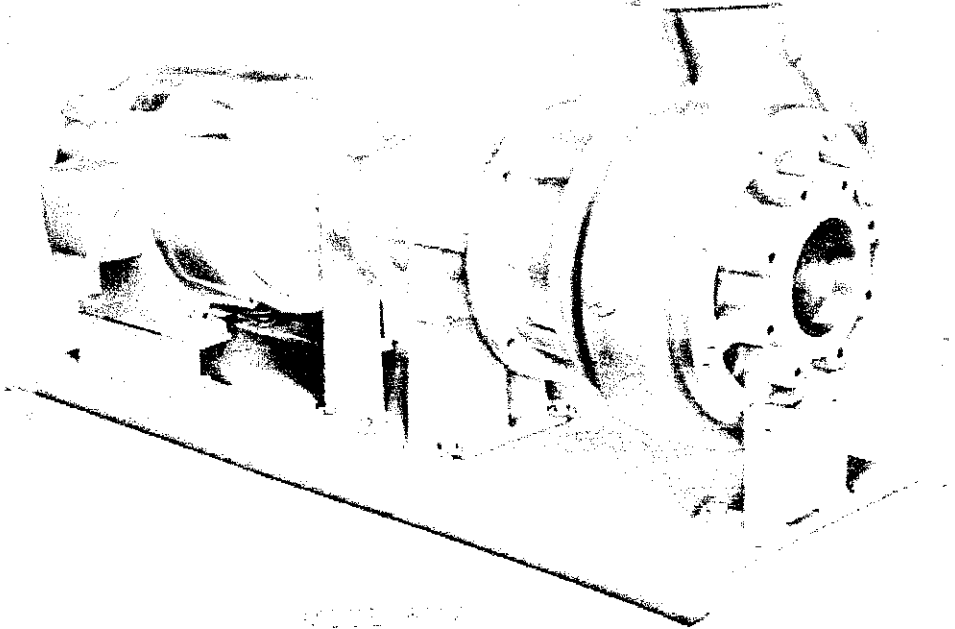
MODEL 4129



MODEL 4139

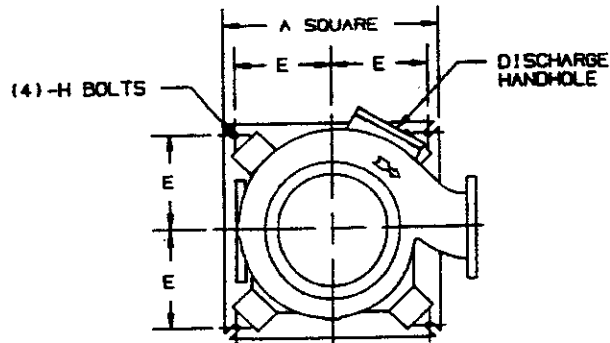
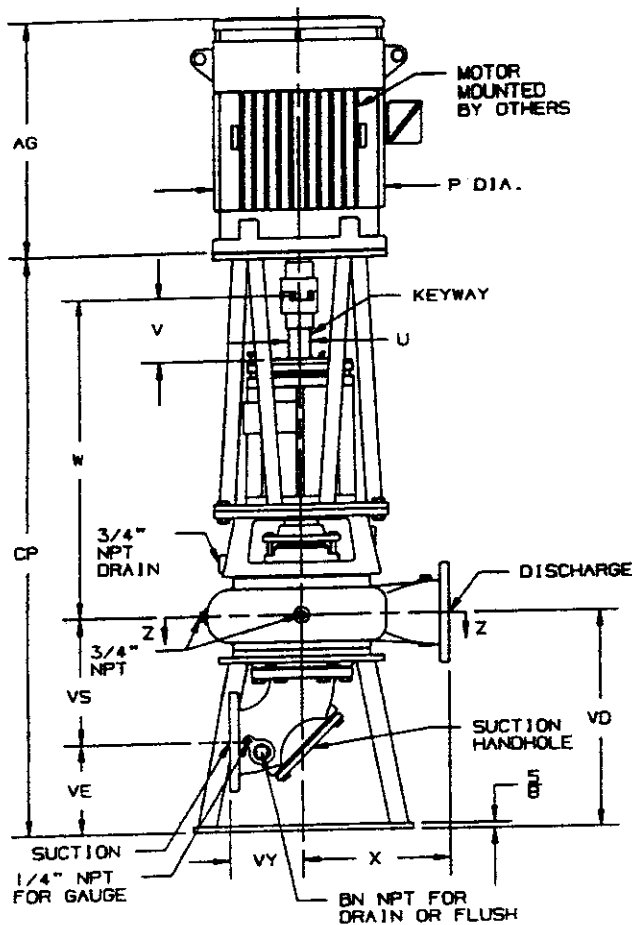


MODEL 4149

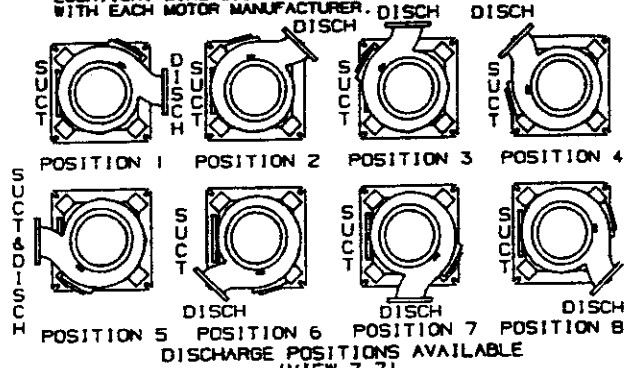


MODEL 4159

AURORA MODEL 613A PUMP



- NOTES:
1. ALL DIMENSIONS IN INCHES.
 2. DIMENSIONS MAY VARY $\pm 1/2$ ".
 3. NOT FOR CONSTRUCTION PURPOSES UNLESS CERTIFIED.
 4. TWO (2) 1/2" NPT CONNECTIONS 180° APART, ON THE STUFFING BOX FOR LUBRICATION PURPOSES ARE FURNISHED AS STANDARD. ON PACKED PUMPS AN ALEMITE FITTING IS PROVIDED IN ONE TAP AND THE REMAINING TAP IS PLUGGED.
 5. DISCHARGE POSITION 1 IS FURNISHED AS STANDARD UNLESS SPECIFIED.
 6. SUCTION AND DISCHARGE FLANGES ARE AMERICAN STANDARD 125 LBS.
 7. HEIGHT (AG) AND DIAMETERS (P) DIMENSIONS OF MOTOR WILL VARY BASED ON MAKE AND STYLE OF MOTOR. DIMENSIONS SHOWN REFLECT AURORA STANDARD MOTORS. SEE INDIVIDUAL MOTOR SUPPLIER DIMENSIONAL DATA SHEETS FOR YOUR APPLICATION. CONDUIT BOX IS SHOWN IN APPROXIMATE LOCATION. DIMENSIONS ARE NOT SPECIFIED AS THEY VARY WITH EACH MOTOR MANUFACTURER.



DISCHARGE POSITIONS AVAILABLE (VIEW Z-Z)

POWER FRAME	U	V	KEYWAY		
			LENGTH	WIDTH	DEPTH
4C, 4D	1 1/4	3 3/16	2	1/4	1/8
5E, 5F	2 3/8	6 3/8	4	5/8	5/16
5G, 5H					
6D	2 7/8	6 5/8	5	3/4	3/8
6E	2 7/8	5 3/4	4	3/4	3/8

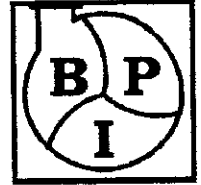
MOTOR FRAME	254HP TO 256HP	284HP TO 286HP	324HP TO 326HP	364HP TO 365HP	404HP TO 405HP	LARGER THAN 405HP
	P APPROX.	13	16	18	21	
AG APPROX.	20 21	22 23	25 26	25	28	

DISCH SUCT CASE BORE	POWER FRAME	A	BN	E	H	VY	W	X	CP	VD	VE	VS	HANDHOLE	
													DISCH.	SUCT.
6x6x12	4C, 4D	24	1 1/2	10 3/4	5/8	8	23 5/16	14	51 5/16	24 1/4	10 1/8	14 1/8	5x5	6
6x6x12	5E, 5F	24	1 1/2	10 3/4	5/8	8	34 3/16	14	64	24 1/4	10 1/8	14 1/8	5x5	6
6x6x12B	4C, 4D	24	1 1/2	10 3/4	5/8	8	23 7/16	16	51 5/16	24 1/8	10 1/8	14	5x5	6
6x6x12B	5E, 5F	24	1 1/2	10 3/4	5/8	8	34 5/16	16	64	24 1/8	10 1/8	14	5x5	6
6x8x15	5E, 5F	30	1 1/2	13 3/4	3/4	9	33 3/4	16	71 7/16	32 1/8	17	15 1/8	5x5	6
6x8x18	5E, 5F	30	1 1/2	13 3/4	3/4	9	34 1/16	18	72	32 3/8	17	15 3/8	5x5	6
8x8x15A	5E	30	1 1/2	13 3/4	3/4	9	34 1/8	19	72 1/16	32 3/8	14 1/4	18 1/8	5x7	6
8x10x18	5G, 5H	30	1 1/2	13 3/4	3/4	11	34 5/8	19	73 3/16	33	15 3/16	17 13/16	5x7	6
8x10x22	5G, 5H	37	1 1/2	17 7/8	11	34 5/8	22 7/16	22	74 11/16	34 1/2	16 5/8	17 7/8	5x7	6
10x10x15	5E, 5F	30	1 1/2	13 3/4	3/4	11	34 5/8	20	73 5/16	32 15/16	11 7/8	21 1/16	5x7	6
10x10x22	6E	37	1 1/2	17 7/8	11	37 1/8	22 1/2	22 1/2	77 1/16	34 1/2	16 5/8	17 7/8	5x7	6
10x12x22	5G, 5H	37	1 1/2	17 7/8	12	35 1/16	22 1/2	22 1/2	75 3/4	35 1/8	15 9/16	19 9/16	5x7	8
10x12x22	6D	37	1 1/2	17 7/8	12	37 9/16	22 1/2	22 1/2	78 1/8	35 1/8	15 9/16	19 9/16	5x7	8
12x12x22	6E	37	1 1/2	17 7/8	12	37 5/8	22 1/2	22 1/2	78 3/16	35 1/8	15 9/16	19 9/16	5x7	8
12x14x22A	5G, 5H	37	2 1/2	17 7/8	14	35 1/8	24	24	75 13/16	35 1/8	13 7/8	21 1/4	5x7	8
12x14x22A	6D	37	2 1/2	17 7/8	14	37 5/8	24	24	78 3/16	35 1/8	13 7/8	21 1/4	5x7	8
12x14x22B	5G, 5H	37	2 1/2	17 7/8	14	35 1/8	24	24	75 13/16	35 1/8	13 7/8	21 1/4	5x7	8
12x14x22B	6D	37	2 1/2	17 7/8	14	37 5/8	24	24	78 3/16	35 1/8	13 7/8	21 1/4	5x7	8
14x14x22A	6E	37	2 1/2	17 7/8	14	37 5/8	24	24	78 3/16	35 1/8	13 7/8	21 1/4	5x7	8

ADD 3/4" TO CP FOR PUMPS ON P.F. 4C, 4D WITH MOTOR FRAMES 284 HPH TO 324 HP.

QUOTATION NUMBER
0572-08

BARNEY'S PUMPS INC.



Page 1 of 1

P.O. Box 3529 Lakeland, FL 33802-3529
2965 Barney's Pumps Place Lakeland, FL 33812
Phone (863) 665-8500
Fax (863) 666-3858

DATE: 11 March 2008

TO: City of Port Orange
Tom May

FOR
SHIPMENT Oak Street WWTP
TO:

PROJECT: Aurora replacements

Delivery
12-14 weeks

Via
Bestway

From
Barney's Pumps

F.O.B.
Barney's Pumps

Terms
net 30

ITEM	QTY	DESCRIPTION	Price	TOTAL
A	2	Transfer Pumps Aurora 653A 4x4x9B, 350 gpm @ 12', 2.0hp 900rpm, S/N: 25294-F777507 Replacement pump including pump, motor stand, pump stand and suction elbow; 2.0 hp, 900rpm, vertical solid shaft, TEFC motor with space heaters and thermostats; coupling between pump and motor. Freight is included in above pricing. Delivery is F.O.B. Barney's Pumps with freight allowed to jobsite. Barney's Pumps standard terms of sale and warranty apply. Start-up and training services are not included. Taxes, anchor bolts, piping, field wiring, etc. are not included.	\$ 15,920 each	Total for two \$ 31,840.

The following items are attached: Bulletin Performance curve Elevation drawing

Prices quoted are firm for 30 days (unless otherwise noted), then subject to adjustment to agree with prices at time of shipment and subject to any tax required by law. We appreciate the opportunity to serve you and trust that we are favored with your order. This quotation is subject to Barney's Pumps standard terms of sale and warranty.

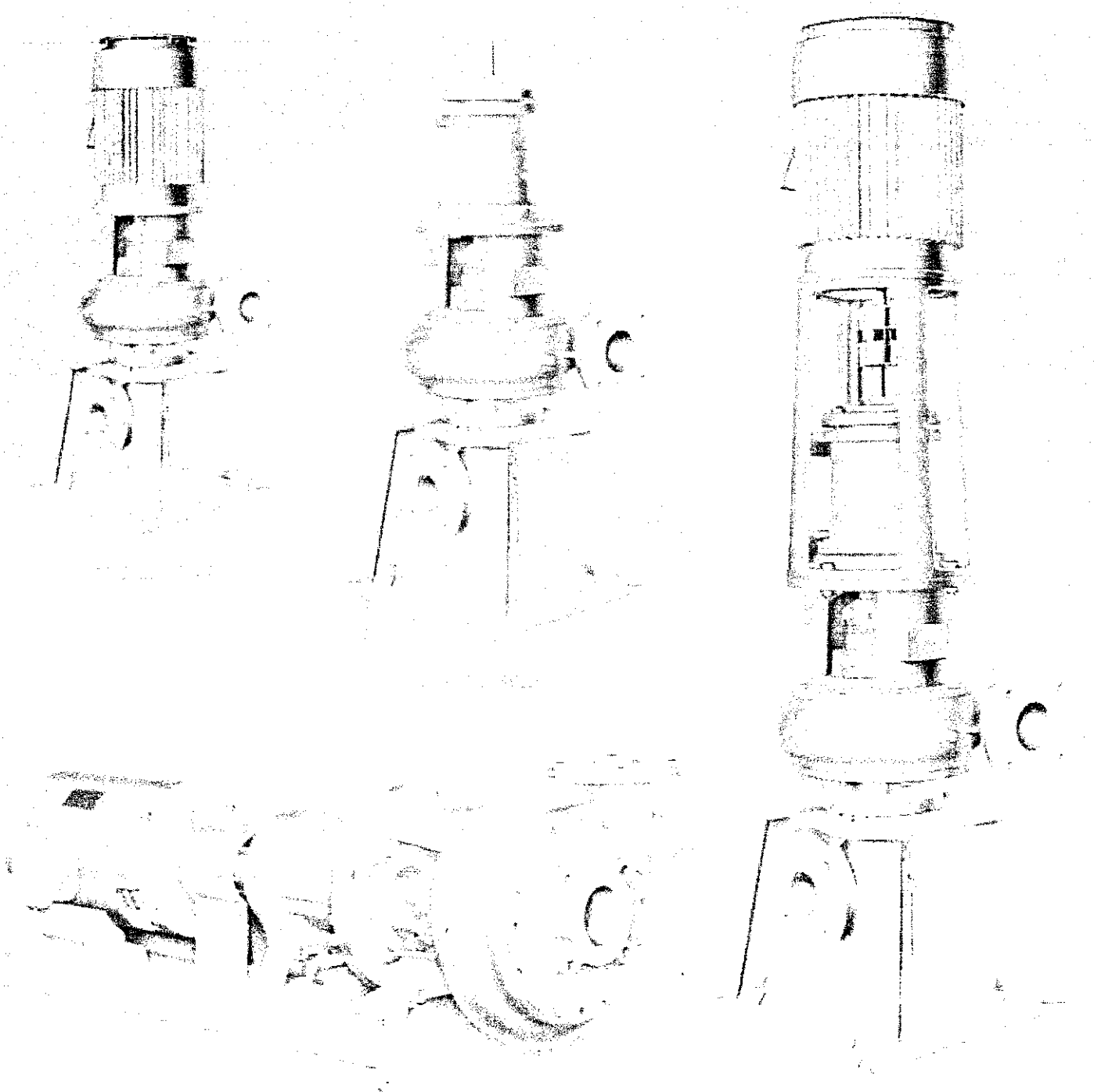
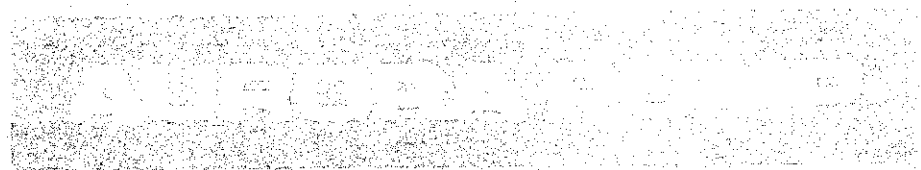
BARNEY'S PUMPS INC.

RYAN GRONKO

Authorized Signature



AURORA PUMPS a member of PENTAIR PUMP GROUP



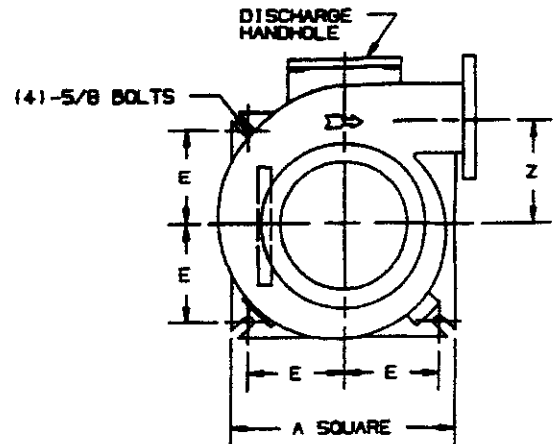
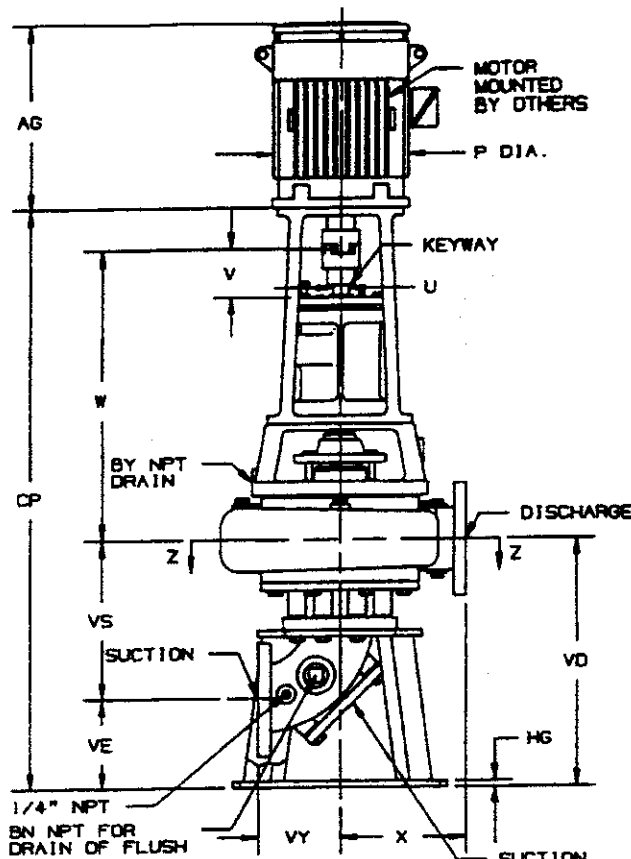
AURORA MODEL 653A PUMP

SECTION 650 PAGE 205

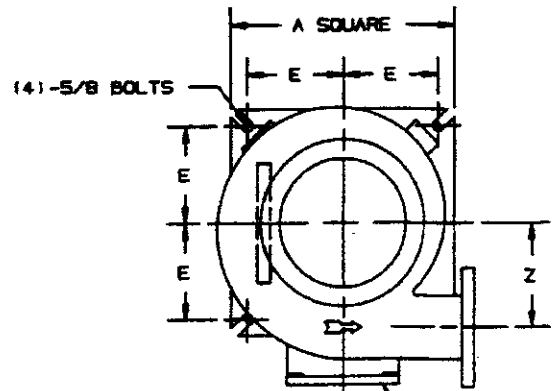
DATED NOVEMBER 1992

SUPERSEDES PAGE 205

DATED SEPTEMBER 1989

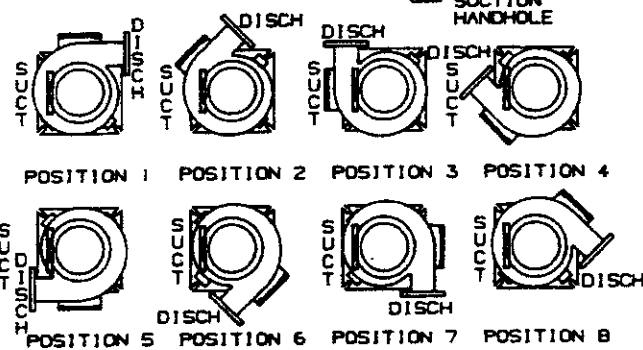


RIGHT HAND ROTATION
CW VIEWED FROM DRIVER END
VIEW Z-Z



LEFT HAND ROTATION
CCW VIEWED FROM DRIVER END
VIEW Z-Z

POSITION 9 SHOWN
(FOR AVAILABLE LEFT HAND
POSITIONS SEE PAGE 302)



POSITION 1 POSITION 2 POSITION 3 POSITION 4
POSITION 5 POSITION 6 POSITION 7 POSITION 8

DISCHARGE POSITIONS AVAILABLE
(RIGHT HAND PUMP VIEWED FROM DRIVER END
FOR LEFT HAND POSITIONS SEE PAGE 302)

NOTE:
PUMP SIZE 3x3x7 AND 3x3x9 DISCHARGE POSITIONS AVAILABLE
ONLY IN 1, 3, 5, AND 7.

- NOTES:
1. ALL DIMENSIONS IN INCHES.
 2. DIMENSIONS MAY VARY ± 1/4".
 3. NOT FOR CONSTRUCTION PURPOSES UNLESS CERTIFIED.
 4. TWO (2) 1/2" NPT CONNECTIONS 180° APART, ON THE STUFFING BOX FOR LUBRICATION PURPOSES ARE FURNISHED AS STANDARD. ON PACKED PUMPS AN ALUMITE FITTING IS PROVIDED IN ONE TAP AND THE REMAINING TAP IS PLUGGED.
 5. DISCHARGE POSITION 1 IS FURNISHED AS STANDARD UNLESS SPECIFIED.
 6. SUCTION AND DISCHARGE FLANGES ARE AMERICAN STANDARD 125 LBS.
 7. 3x3x7 PUMP NOT AVAILABLE IN LEFT HAND CONFIGURATION.

POWER FRAME	U	V	KEYWAY			P APPROX.	AG APPROX.	MOTOR FRAME											
			LENGTH	WIDTH	DEPTH			143HP TO 145HP	182HP TO 184HP	213HP TO 215HP	254HP TO 256HP	284HP TO 286HP	324HP TO 326HP	364HP TO 365HP	404HP TO 405HP				
3C, 4C	1 1/4	3 3/16	2	1/4	1/8	8	10	11	13	16	18	21	22						
5E, 5F	2 3/8	6 3/8	4	5/8	5/16	11	12	13	14	16	18	20	21	22	23	25	26	25	28

DISCH SUCT CASE BORE	POWER FRAME	A	BN	BY	E	HG	VY	W	X	Z	CP	VD	VE	VS
3x3x7	3C	17	1	1/2	7 1/4	1/2	6 1/2	23 5/8	6	5	43 1/2	16 1/4	6 3/4	9 1/2
3x3x9	3C	17	1	1/2	7 1/4	1/2	6 1/2	23 5/16	7	6 1/8	44 1/4	17 5/16	6 3/4	10 9/16
4x4x7	3C	17	1 1/2	1/2	7 1/4	1/2	6 1/2	23 7/8	7	5 3/8	45 1/2	18	6 15/16	11 1/16
4x4x9A	3C	17	1 1/2	1/2	7 1/4	1/2	6 1/2	23 1/4	8 1/4	7 1/16	44 5/8	17 3/4	6 15/16	10 13/16
4x4x9B	4C	17	1 1/2	3/4	7 1/4	1/2	6 1/2	22 11/16	10	7 7/8	46 1/8	19 11/16	6 15/16	12 3/4
4x4x12 4C	17	1 1/2	3/4	7 1/4	1/2	6 1/2	22 5/8	10 1/2	9	46 1/8	19 3/4	6 15/16	12 13/16	
4x4x12 4C	17	1 1/2	3/4	7 1/4	1/2	6 1/2	33 5/8	10 1/2	9	58 7/8	19 3/4	6 15/16	12 13/16	
4x6x15	5E, 5F	24	1 1/2	3/4	10 3/4	5/8	8	33 5/16	10 1/2	10 1/4	62 7/8	24 1/16	9 7/8	14 3/16

ADD 3/4" TO CP FOR PUMPS ON P.F. 4C WITH MOTOR FRAMES 284HP TO 324HP. SUBTRACT 2" FROM CP FOR PUMPS ON P.F. 5E AND 5F WITH MOTOR FRAMES SMALLER THAN 284HP.

ap AURORA®

PENTAIR PUMP GROUP