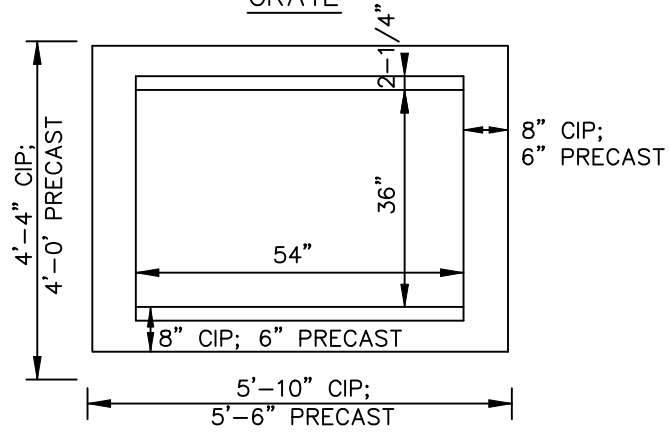
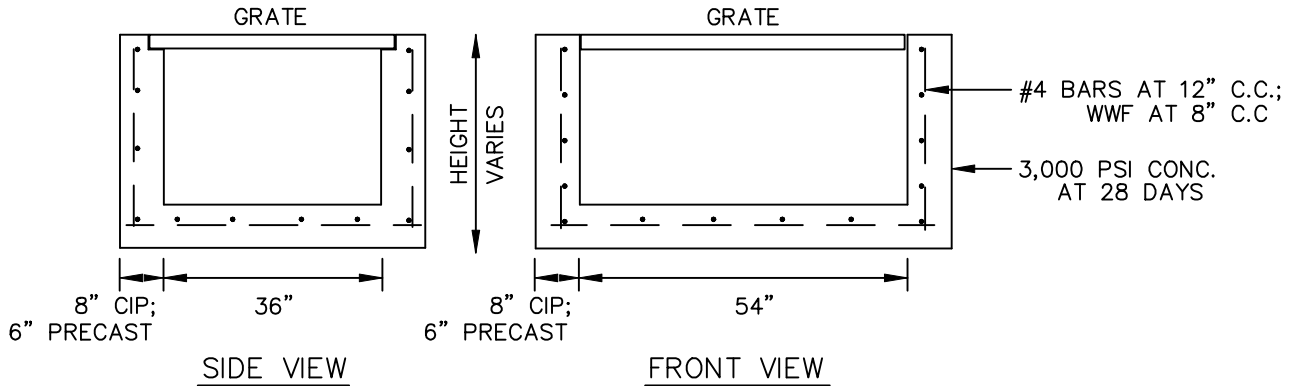


GRATE



TOP VIEW



SIDE VIEW

FRONT VIEW

NOTE:

1. 8" WALL THICKNESS FOR CAST IN PLACE STRUCTURES. 6" WALL THICKNESS FOR PRECAST STRUCTURES.
2. MAXIMUM PIPE DIAMETER 24" ALONG 36" WALL.
3. MAXIMUM PIPE DIAMETER 30" ALONG 54" WALL.
4. SEE FDOT INDEX 232 FOR ADDITIONAL DETAIL.



STANDARD CONSTRUCTION DETAIL
TYPE "E" STORM INLET

REV. 12/18

FILE NAME:

ST5.DWG

DETAIL REF:

ST-5