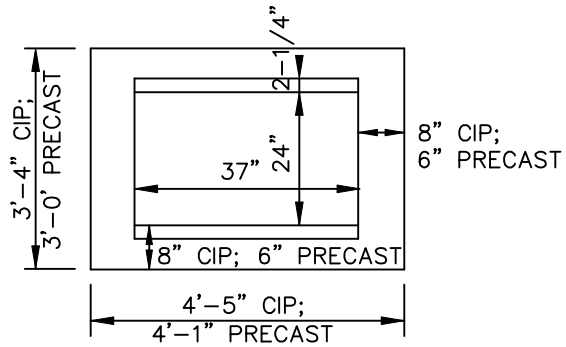
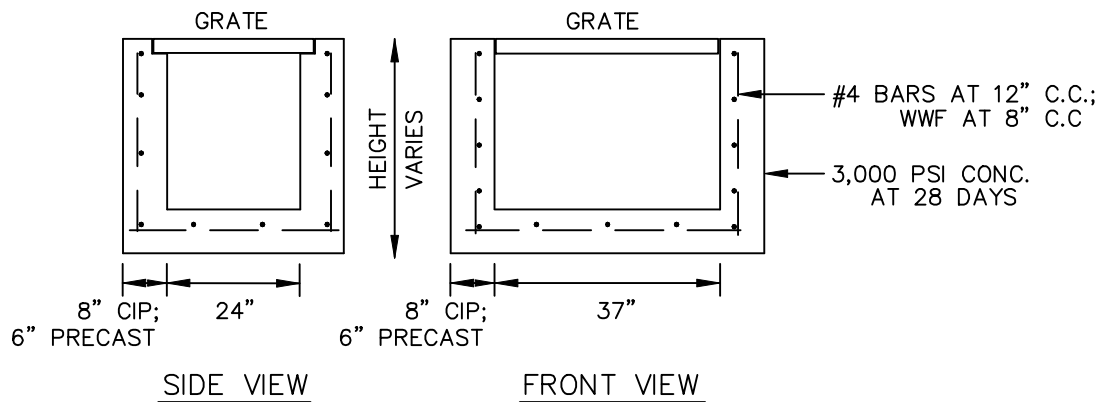


GRATE



TOP VIEW



SIDE VIEW

FRONT VIEW

NOTE:

1. 8" WALL THICKNESS FOR CAST IN PLACE STRUCTURES. 6" WALL THICKNESS FOR PRECAST STRUCTURES.
2. MAXIMUM PIPE DIAMETER 18" ALONG 24" WALL.
3. MAXIMUM PIPE DIAMETER 24" ALONG 37" WALL.
4. SEE FDOT INDEX 232 FOR ADDITIONAL DETAIL.



STANDARD CONSTRUCTION DETAIL
TYPE "C" STORM INLET

FILE NAME:

ST4.DWG

DETAIL REF:

ST-4

REV. 12/18