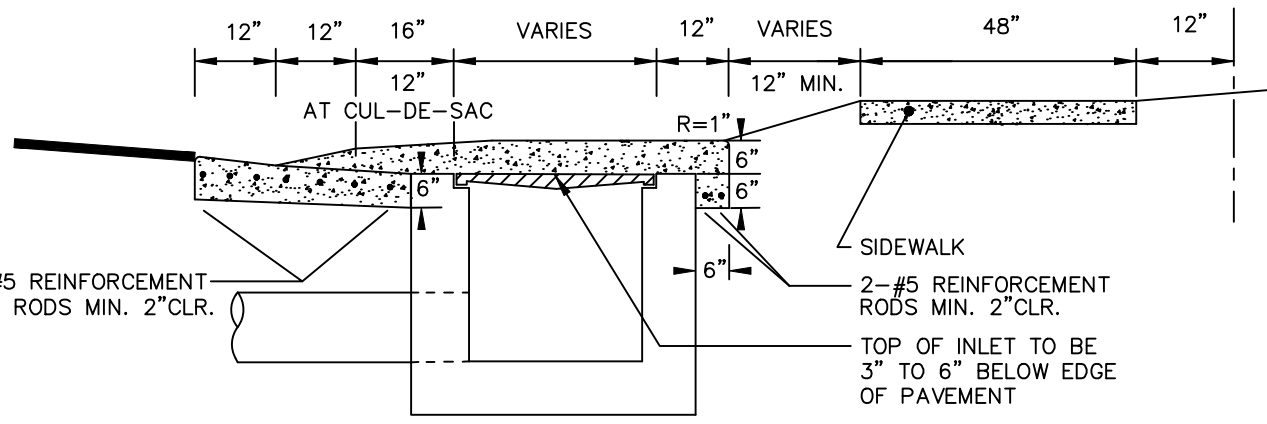


PLAN VIEW

HANDRAILS REQUIRED IF DROP OFF HAZARD EXCEEDS MAXIMUMS DESCRIBED IN FDOT GREEN BOOK (LATEST EDITION)



SECTION A-A



STANDARD CONSTRUCTION DETAIL
STORM INLET APRON

REV. 12/18

FILE NAME:

ST3.DWG

DETAIL REF:

ST-3