

NOTES:

1. DRIVEWAY TO BE 6" THICK 3,000 PSI CONCRETE AT 28 DAYS WITH 6X6 10/10 WW MESH. BASE TO BE COMPACTED AND TESTED TO 98% DENSITY WITH MINIMUM L.B.R. 40 BASED ON AASHTO T-180 MODIFIED PROCTOR TEST.
2. 1" SERVICE WITH HOSE BIB. IF RECLAIMED WATER IS UNAVAILABLE FOR LIFT STATION WATER SERVICE, CONTRACTOR SHALL CONNECT TO POTABLE WATER WITH BFP DEVICE.
3. 12' HAMMERHEAD DRIVEWAY OUTSIDE FENCE MAY BE REQUIRED DEPENDS ON SITE CONDITION.
4. FENCE MAY BE RELOCATED INTERNALLY WITHIN SITE TO CREATE A 25' X 25' SITE IF LANDSCAPING MATERIALS ARE INSTALLED AROUND THE PERIMETER. ANY FENCE MATERIAL OTHER THAN BLACK PLASTIC COATED CHAIN LINK OR WOODEN SHADOW BOX SHALL BE MAINTENANCE BY DEVELOPER OR HOA.
5. FINISH GRADE OF LIFT STATION SITE SHALL BE EQUAL TO OR GREATER THAN THE ELEVATION OF THE CENTERLINE OF ADJACENT ROADWAY & THERE MUST BE POSITIVE DRAINAGE AT & SURROUNDING THE SITE.



STANDARD CONSTRUCTION DETAIL
 SURFACE MOUNTED LIFT STATION LAYOUT –
 FRONT DRIVEWAY

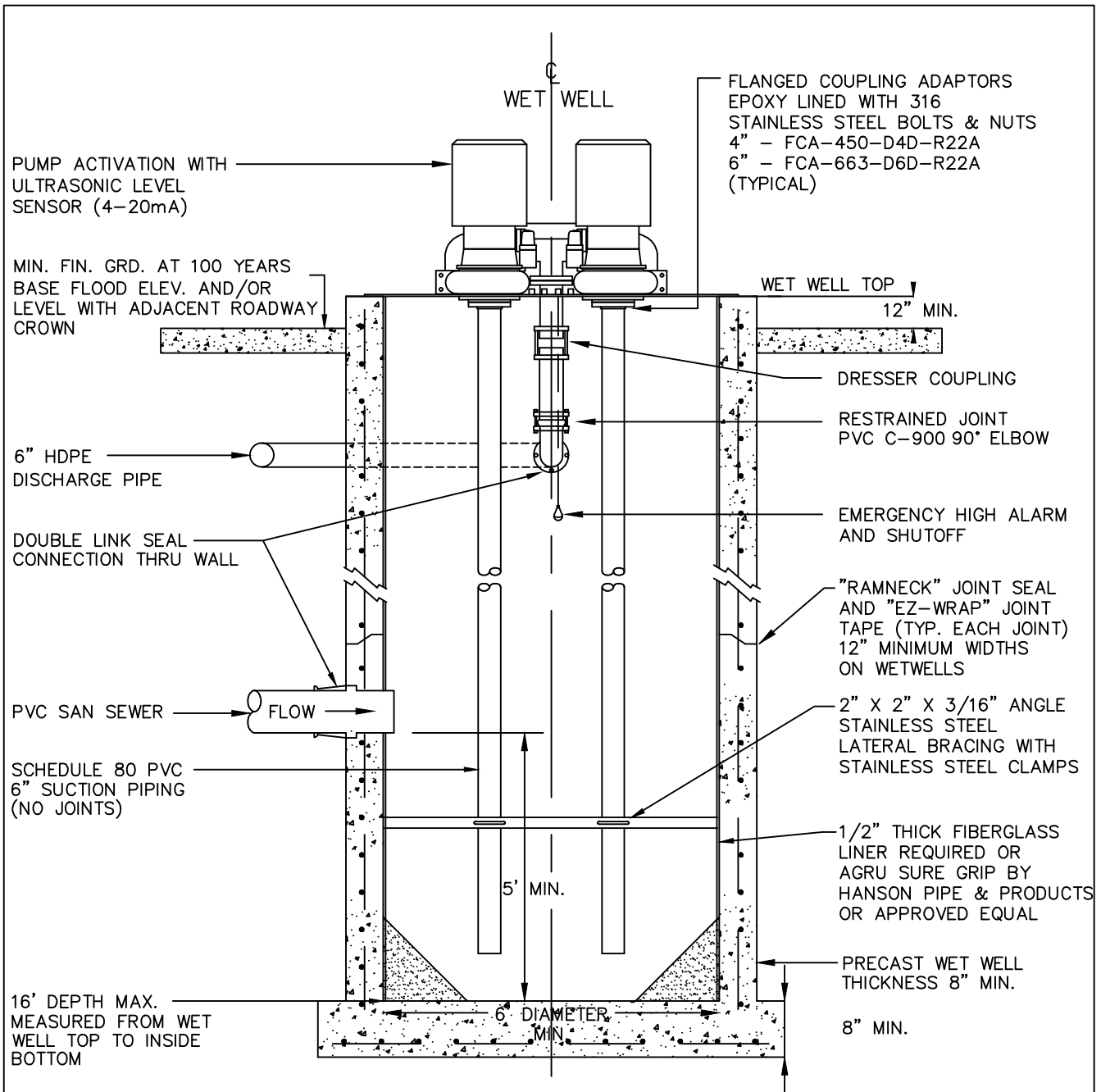
REV. 12/18

FILE NAME:

S15.DWG

DETAIL REF:

S-15



STANDARD CONSTRUCTION DETAIL
 SURFACE MOUNTED LIFT STATION LAYOUT –
 WET WELL

REV. 12/18

FILE NAME:

S15.DWG

DETAIL REF:

S-15.2