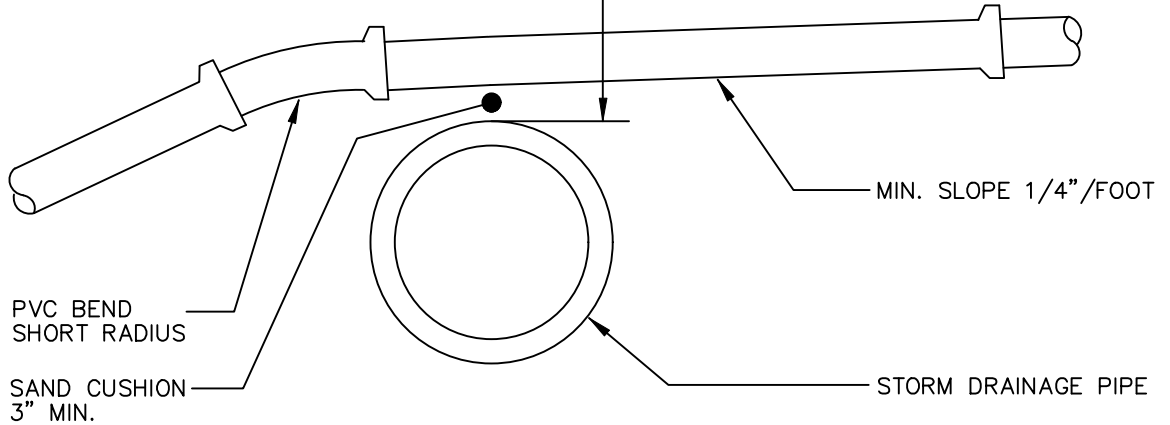


STREET

TOP OF PAVEMENT

THIS DETAIL POSSIBLE IF  
COVER OVER EXISTING  
PIPE EXCEEDS 36"



NOTES:

1. SANITARY SEWER PIPE MATERIAL SHALL BE PVC SDR26.



STANDARD CONSTRUCTION DETAIL  
SANITARY SEWER LATERALS AND STORM  
CROSSING

REV. 12/18

FILE NAME:

S13.DWG

DETAIL REF:

**S-13**