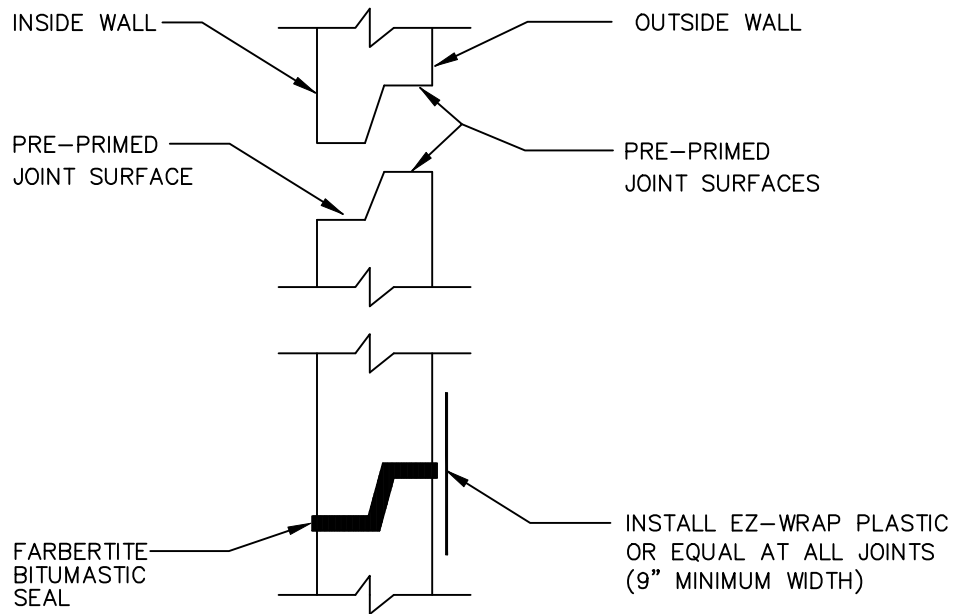


RUBBER BOOT CONNECTION



PRECAST JOINT CONNECTION

NOTE:

1. NEW SANITARY SEWER MANHOLE CONNECTIONS SHALL UTILIZE IN-FIELD INSTALLATION OF RUBBER BOOT AND STRAP AND COVER WITH HYDRAULIC CEMENT.
2. EXISTING SANITARY SEWER MANHOLE CONNECTIONS SHALL UTILIZE A CORING METHOD AND IN-FIELD INSTALLATION OF RUBBER BOOT AND STRAP AND COVER WITH HYDRAULIC CEMENT.



STANDARD CONSTRUCTION DETAIL
RUBBER BOOT AND PRECAST JOINT
CONNECTION

REV. 12/18

FILE NAME:

S10.DWG

DETAIL REF:

S-10