

STANDARD CONSTRUCTION DETAIL
SANITARY SEWER OUTSIDE DROP MANHOLE

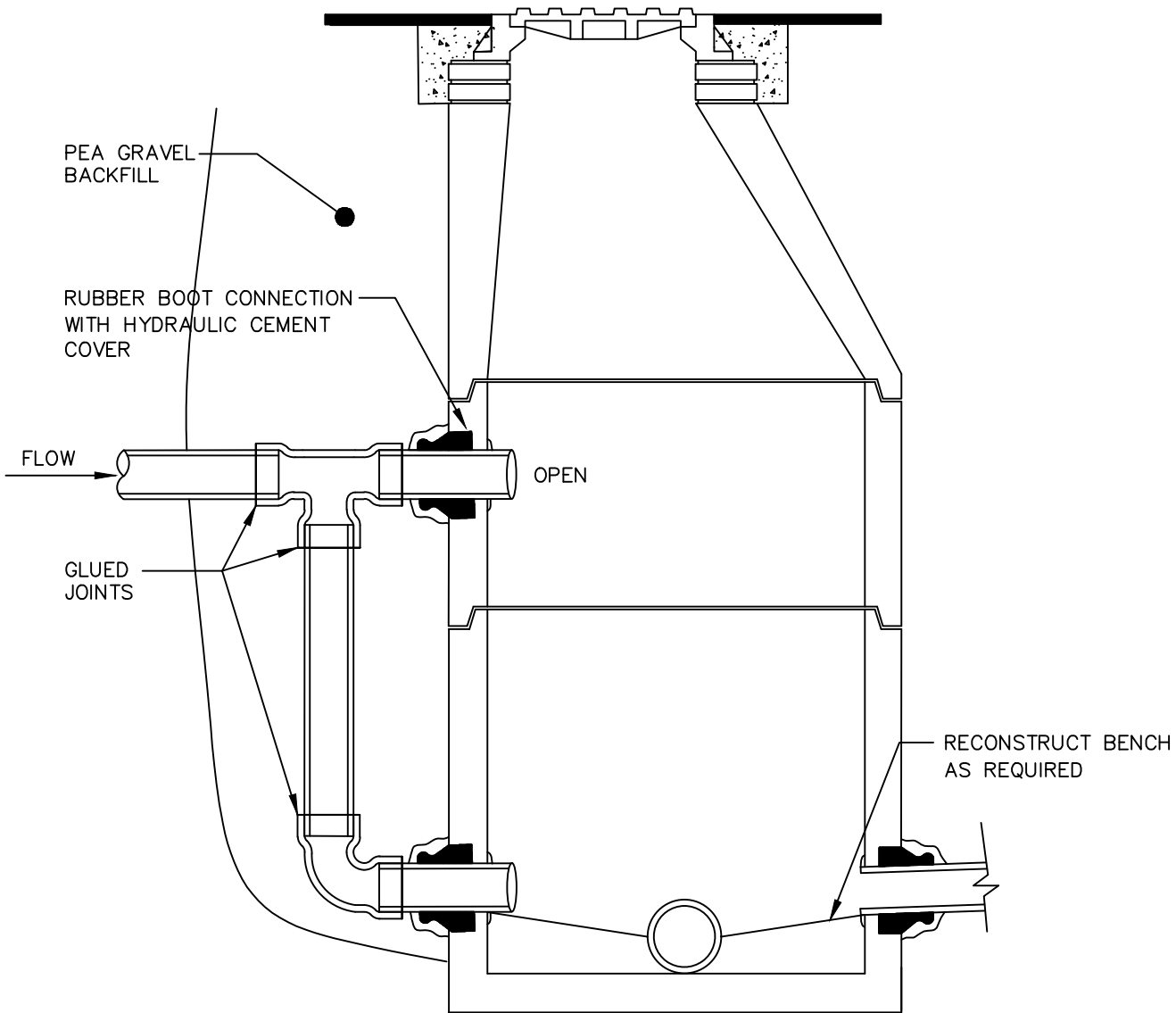
REV. 12/18

FILE NAME:

S8.DWG

DETAIL REF:

S-8



STANDARD CONSTRUCTION DETAIL
 SANITARY SEWER OUTSIDE DROP MANHOLE –
 RETROFIT

REV. 12/18

FILE NAME:

S8.DWG

DETAIL REF:

S-8.1