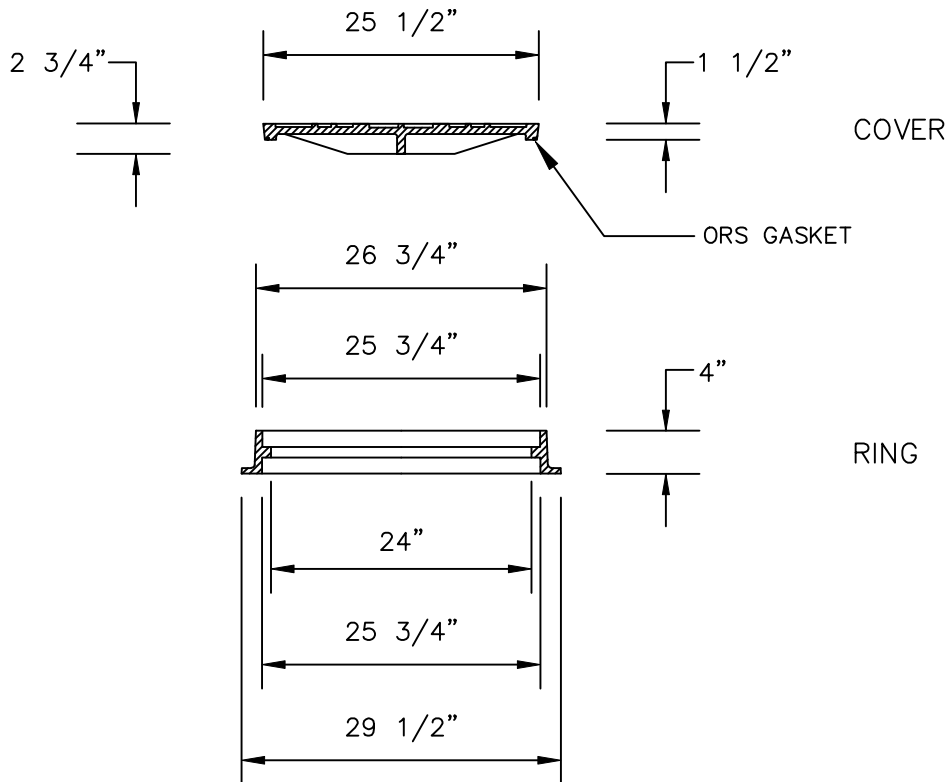


NON-PENETRATING PICKHOLES



NOTES:

1. COVER - 125 LBS.
2. RING - 90 LBS.
3. MATERIAL: ASTM-A48 GRAY IRON CLASS 35B
4. BL COVER AND USF 117 BASE BY US FOUNDRY & MFG. CORP., OR EQUAL
5. GREASE INTERCEPTOR COVERS TO BE MARKED WITH "GREASE" INSTEAD OF "SANITARY SEWER"



STANDARD CONSTRUCTION DETAIL
SANITARY SEWER MANHOLE SINGLE COVER

REV. 12/18

FILE NAME:

S4.DWG

DETAIL REF:

S-4