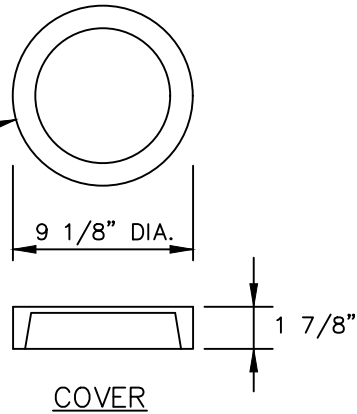
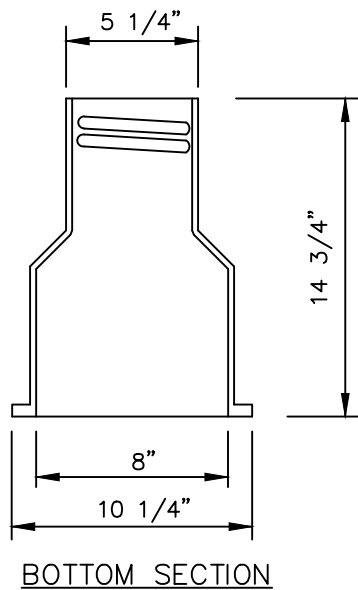
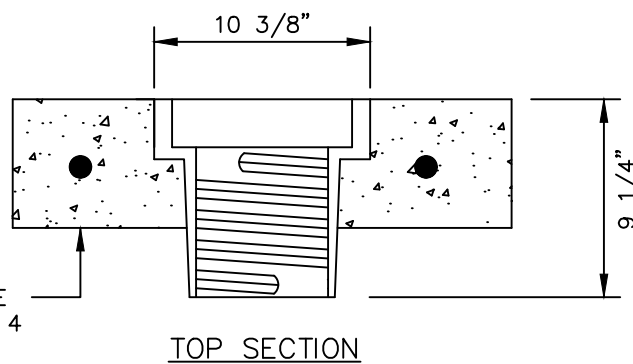


COVER COLOR BLUE  
LABELED WITH "WATER"



24"DIA.x6" CAST-IN-PLACE  
CONCRETE COLLAR WITH # 4  
RE-BAR RING AT CENTER



STANDARD CONSTRUCTION DETAIL  
POTABLE WATER VALVE BOX COVER AND LID

REV. 12/18

FILE NAME:

W9.DWG

DETAIL REF:

W-9