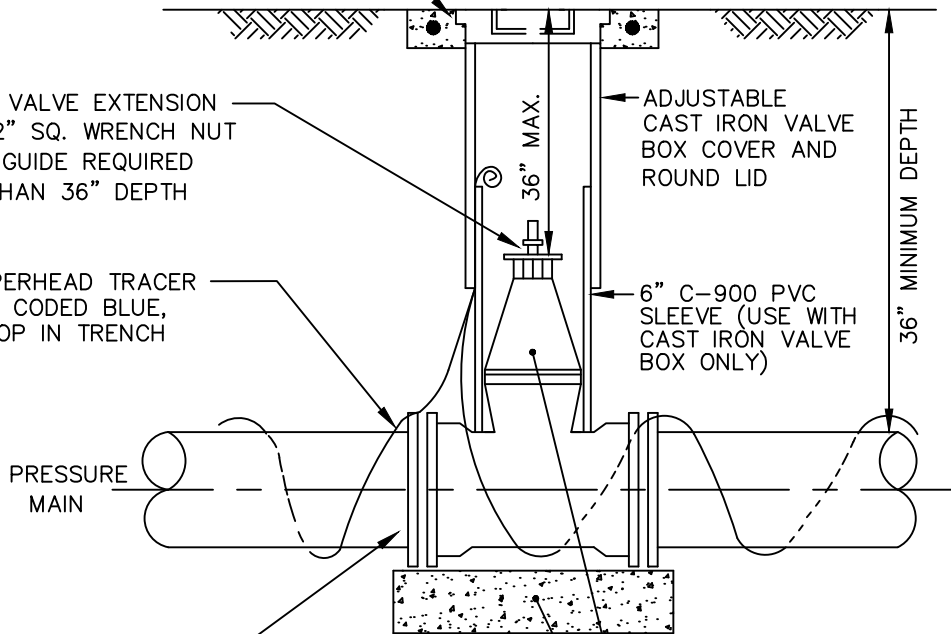


24" DIA.x6" CAST-IN-PLACE  
CONCRETE COLLAR WITH #4  
RE-BAR RING AT CENTER

WORD "WATER" ON  
COVER AT FINISHED  
GRADE (ROUND,  
PAINTED BLUE)

ADJUSTABLE VALVE EXTENSION  
ASSEMBLY, 2" SQ. WRENCH NUT  
AND UPPER GUIDE REQUIRED  
FOR MORE THAN 36" DEPTH

No. 10 COPPERHEAD TRACER  
WIRE, COLOR CODED BLUE,  
LAYED ON TOP IN TRENCH



36" MINIMUM DEPTH

36" MAX.

PRESSURE  
MAIN

USE RESTRAINED JOINTS TO  
PREVENT MOVEMENT (THRUST  
BLOCKING NOT ALLOWED)

16"x16"x6" PRECAST  
BLOCK OR MIN. 6"  
THICK # 57 STONE (TYP.)

AWWA C509 & 515 DUCTILE IRON BODIED  
EPOXY COATED RESILIENT WEDGE GATE  
VALVE WITH 2" OPERATING NUT; WRENCH  
NUT OPEN COUNTER-CLOCK WISE

NOTE:

1. BOLT VALVES TO TEE OR CROSS WHEREVER AND WHENEVER APPLICABLE.
2. GATE VALVE WEDGE SHALL BE COMPLETELY ENCAPSULATED WITH EPDM RUBBER.
3. ALL OUTSIDE HEX NUTS, BOLTS AND HARDWARES (EXCEPT MECHANICAL BOLTS SUCH AS "T" BOLTS) SHALL BE MINIMUM 316 STAINLESS STEEL GRADE.



STANDARD CONSTRUCTION DETAIL  
4"-16" VALVE SIZE POTABLE WATER  
VALVE BOX

REV. 12/18

FILE NAME:

W8.DWG

DETAIL REF:

**W-8**