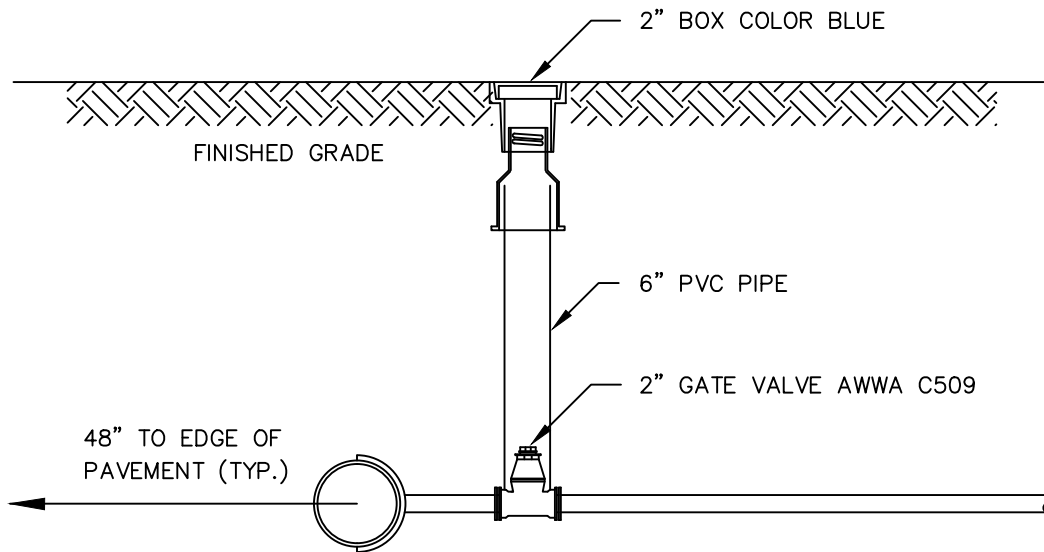


PLAN



TYPICAL SECTION



STANDARD CONSTRUCTION DETAIL  
 2" METER SIZE POTABLE WATER  
 SERVICE CONNECTION

REV. 12/18

FILE NAME:

W7.DWG

DETAIL REF:

**W-7**