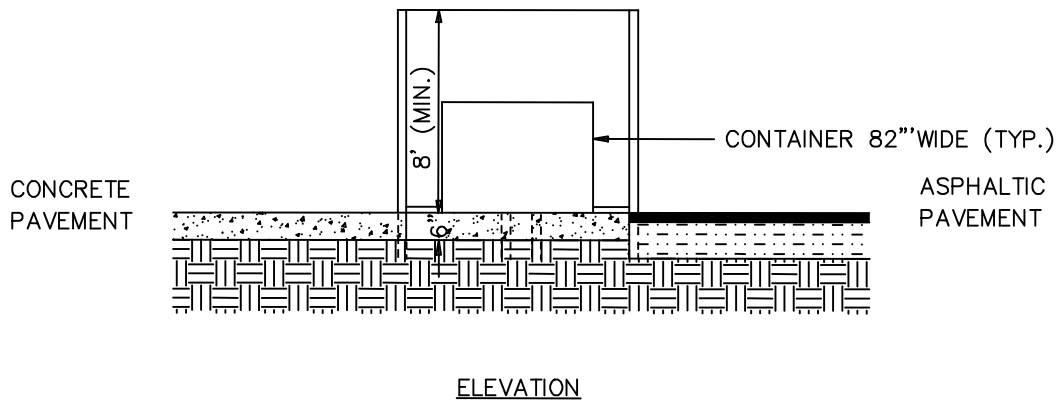
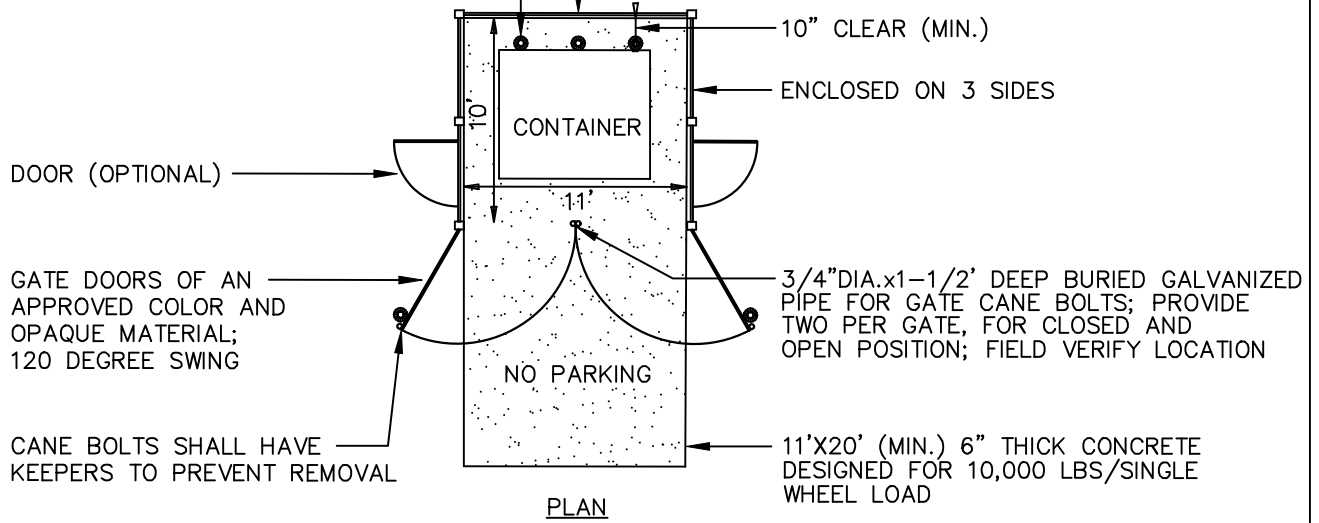


6" DIA. (MIN.) PIPE BOLLARD, CONCRETE FILLED, PAINTED FEDERAL YELLOW; PIPES SHALL HAVE A MINIMUM BURIAL OF 36" BELOW GRADE AND BE 42" ABOVE GRADE

DECORATIVE WALL CONSISTING OF ONE OR MORE COLORS AND FINISHES TO BE COMPLEMENTARY TO BUILDING DESIGN; PROVIDE DRAINAGE UNDER OR THROUGH ENCLOSURE AND GRADE AWAY FROM INTERIOR



NOTES:

1. PROVIDE 40' STRAIGHT STATIC APPROACH (MIN.) AND 40' APPROACH AND DEPARTURE RADIUS (MIN.).
2. AREA TO BE FREE OF OVERHEAD LINES AND WIRES.
3. APPLICANT TO PROVIDE A SIDE ELEVATION TO DEMONSTRATE COLOR, MATERIAL, AND DESIGN CONSISTENCY WITH THE PRINCIPAL BUILDING.
4. ENCLOSURE SHALL BE DESIGNED FOR WIND SPEED LISTED IN FBC (LATEST EDITION).
5. ENCLOSURE SHALL REQUIRE BUILDING PERMIT FOR CONSTRUCTION.



STANDARD CONSTRUCTION DETAIL
SINGLE CONTAINER
DUMPSTER ENCLOSURE

REV. 12/18

FILE NAME:

M16.DWG

DETAIL REF:

M-16