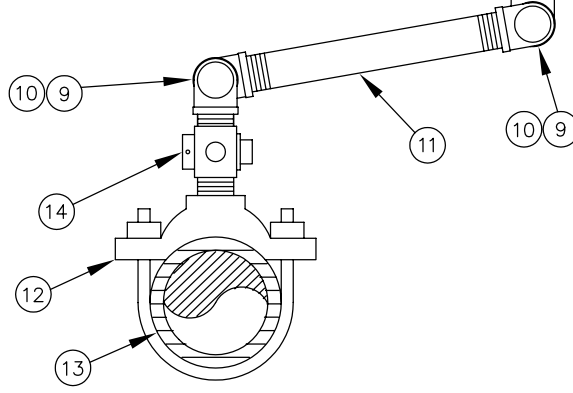


NOTE:
 CITY OF PORT ORANGE SHALL HAVE
 OPTION OF REQUIRING THE AIR
 RELEASE VALVE ASSEMBLY WITH
 ODOR CONTROL SYSTEM (DETAIL S-33)
 TO BE INSTALLED WHERE ODOR
 MAY BE A CONCERN



NOTE:
 VENTED ENCLOSURE TO BE COLOR
 CODED AS FOLLOWS:
 WATER MAIN - BLUE
 FORCE MAIN - GREEN
 REUSE MAIN - PURPLE

M A T E R I A L S		
ITEM	QUANT.	DESCRIPTION
1	1	ENCLOSURE, WATER PLUS CORPORATION MODEL #131632
2	1	AIR RELEASE VALVE 2" NPT, ARI MODEL D-025 P
		SEWER AIR RELEASE VALVES SHALL BE ARI MODEL D-025 P
		WATER AIR RELEASE VALVES SHALL BE VALMATIC OR EQUAL
3	1	1" CURB STOP, S.S.
4	1	2" x 4" NIPPLE, S.S.
5	1	2" BALL VALVE, S.S.
6	1	2" TEE, S.S.
7	1	2" X 1" REDUCER, S.S.
8	1	1" SHORT NIPPLE, S.S.
9	4	2" x 90° ELBOW, S.S.
10	2	2" SHORT NIPPLE, S.S.
11	2	2" PIPE, S.S. LENGTH AS REQUIRED
12	1	2" DOUBLE STRAP TAPPING SADDLE, S.S.
13	1	4" & LARGER PIPE, D.I. OR PVC (DR-18)
14	1	2" CORPORATION BRASS
15	2	1-1/2" PIPE, PVC, LENGTH AS REQUIRED
16	1	1-1/2" x 90° ELBOW, PVC
17	1	CONCRETE SLAB AROUND ENCLOSURE



STANDARD CONSTRUCTION DETAIL
 STANDARD AIR RELEASE VALVE ASSEMBLY
 ABOVE GROUND VERTICAL PIPE LAYOUT

REV. 12/08

FILE NAME:
 S32.DWG
 DETAIL REF:
S-32