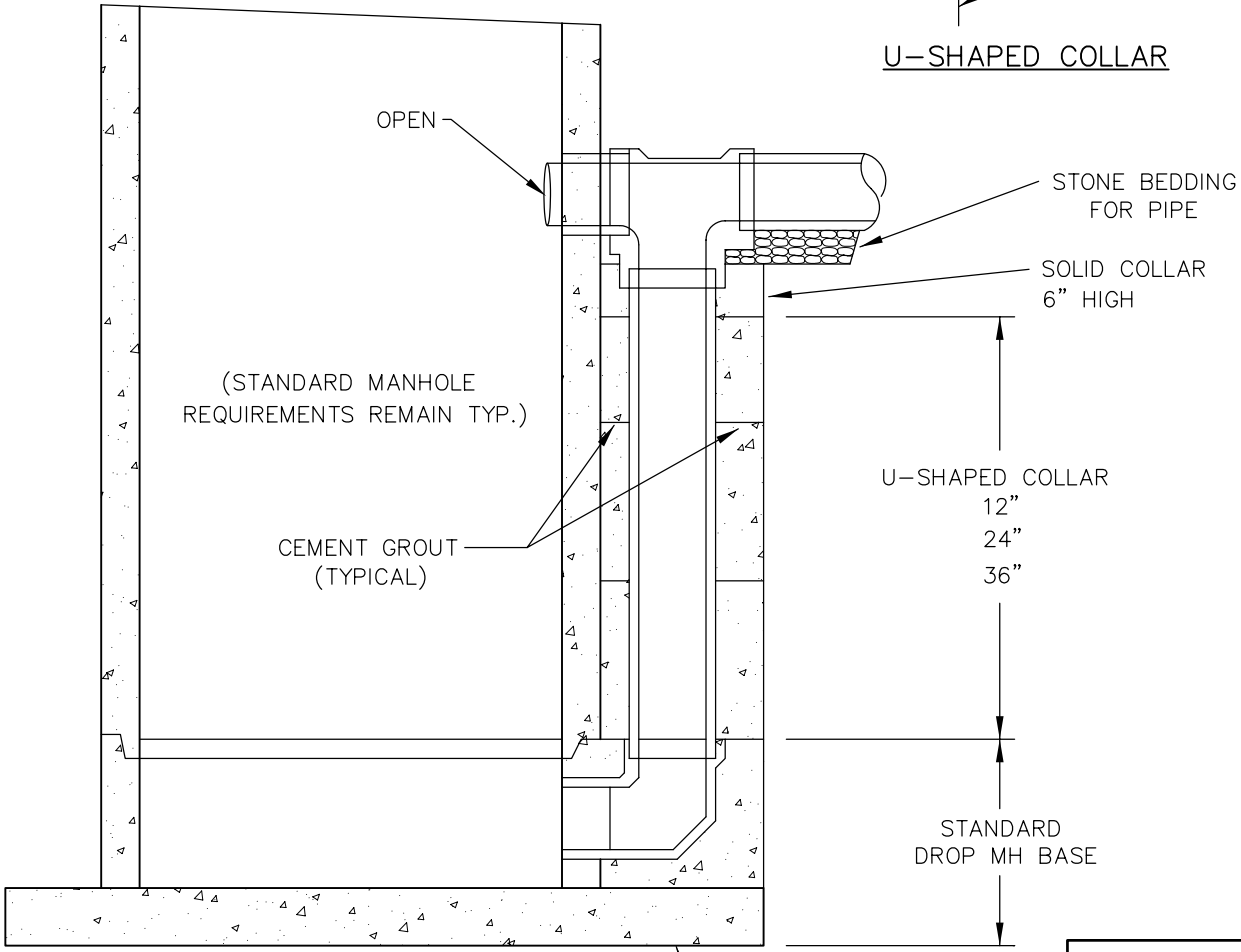


U-SHAPED COLLAR



CROSS-SECTION OF DROP MANHOLE

PROVIDE EXTENDED BASE AS REQUIRED

SEE DETAIL S-6 FOR ADDITIONAL INFORMATION



STANDARD CONSTRUCTION DETAIL
 OUTSIDE DROP MANHOLE
 (STANDARD NEW CONSTRUCTION)

REV. 12/08

FILE NAME:	S9.DWG
DETAIL REF:	S-9