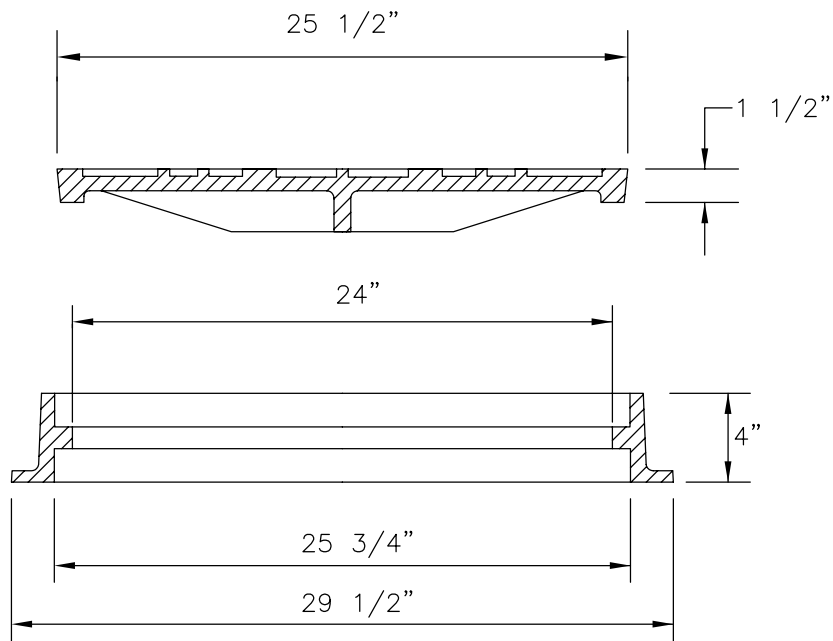


2 NON-PENETRATING PICKHOLES



NOTES:

- 1- MATERIAL; ASTM-A48 CLASS 35B GRAY IRON
- 2- RING WT.: 85 LBS. APP
- 3- COVER WT: 120 LBS. APP.



STANDARD CONSTRUCTION DETAIL
 SANITARY SEWER COVER & GENERAL NOTES
 USF 117 RING & BL COVER

REV. 12/08

FILE NAME:

S7.DWG

DETAIL REF:

S-7